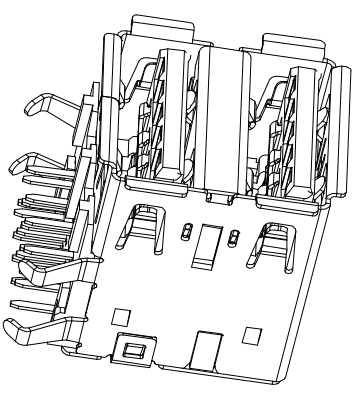
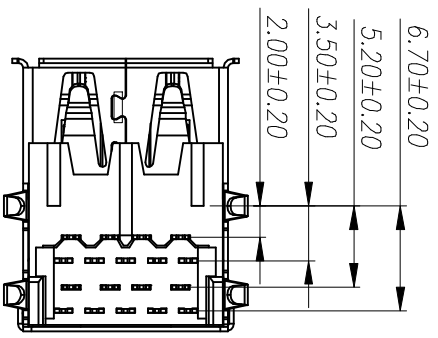
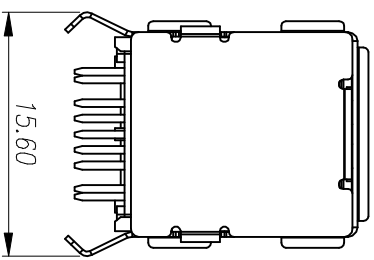
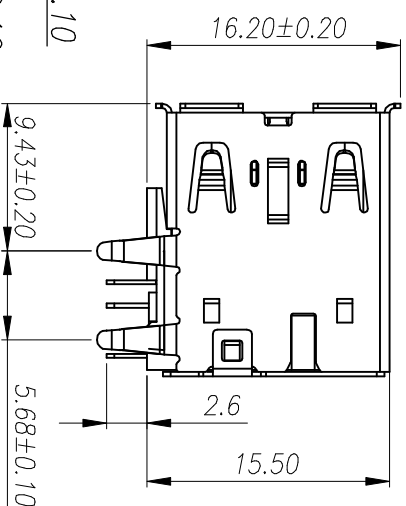
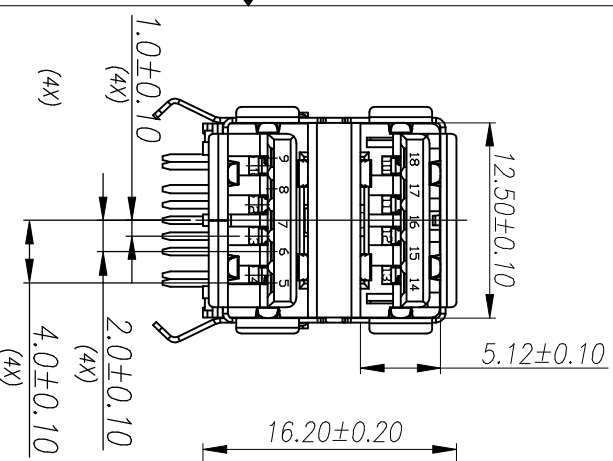
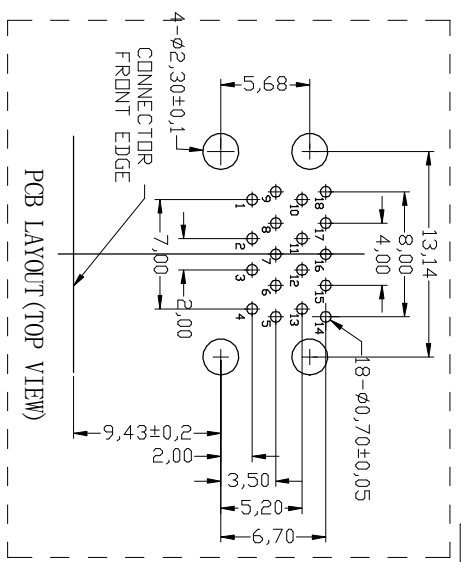
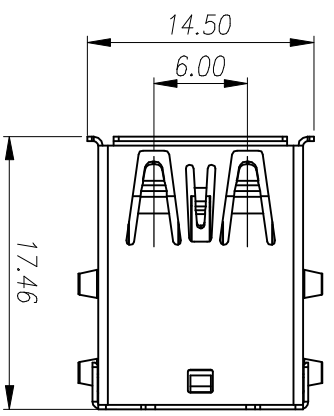


CATEGORY	DESCRIPTION	P/N #
CONNECTOR	USB 3.0 A母90度双层带壳	UB9F-XXX21-JPRD001

REV.	ECN NO	DESCRIPTION	REVISED	DATE
A01		New Release	KELLY	2013.09.11



UB9F-XXX21-JPRD001

X	屏蔽壳材质
B	BRASS
S	Steel

X	塑胶颜色区分
B	BLACK
U	BLUE

X	Terminal Plating
0	Au 1u" Plating
1	Au 15u" Plating

SPECIFICATIONS:

Contact current Rating:
 1.8 Amperes for pin1&pin-4,
 0.25 Amperes other contacts

Dielectric Withstanding Voltage:AC 100V(RMS)
 Insulation resistance:100Megohms Minimum.

Contact Resistance:
 30mΩ Max for pin1&pin-4
 50mΩ Max for other contacts

Mechanical Characteristics:
 Mating Force:35 Newtons,Maximum
 Umating Force:10 Newtons,Minimum.

MATERIAL:
 Housing: PBT+30%GF COLOR:BLUE
 Contact: copper alloy(T=0.25mm)

PLATING:
 Shell: Brass
 Contact: Au Plated on contact area
 Tin Plated on solder area
 Nickel underplating over all
 Shell: Nickel Plated
 operating Temperature:-55to+85°

UNLESS OTHERWISE SPECIFIED TOLERANCES	DECIMALS:	ANGLES:
	X : ±0.5	X : ±2°
	X.X : ±0.38	X.X : ±1'
	X.XX : ±0.25	

东莞市合陵电子有限公司
 Dongguan Heling Electronic Co.,LTD

SCALE:1/1 UNIT: mm DWG.NO:

APPROVED BY	CHECKED BY	PREPARED BY
TNOY	BILL	KELLY

CUSTOMER COPY